



180 Lafayette Road  
 North Hampton, NH 03862-2448  
 PH: 603-964-3165  
 FX: 603-964-3168  
 WWW.PDEELECTRONICS.COM

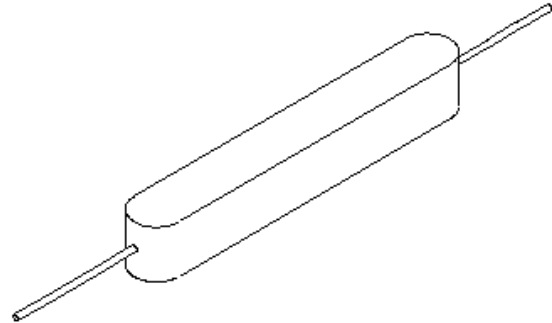
## Rectifier Assembly

### Fast Recovery High Voltage

### HVFS Series

- QUICK REFERENCE DATA**
- $V_R = 2500 - 20000$  VOLTS
  - $I_F = 2.2$  AMPS
  - $I_R = 10 \mu$ AMPS
  - $I_{FSM} = 200$  AMPS

- FEATURES**
- High Voltage
  - High Density
  - Fast Recovery
  - Glass Passivated Junctions
  - Low Reverse Leakage Current
  - Low Forward Voltage Drop
  - High Thermal Shock Resistance
  - Corona Free Construction
  - Low Distributed Capacitance



### ABSOLUTE MAXIMUM RATINGS

Part Number	Peak Inverse Voltage PIV Volts	Average Rectified Current $I_{F(AV)}$		1 Cycle Surge Current $I_{FSM}$ $t_p=8.3mS$	Reverse Recovery Time*
		@ $T_A=55^\circ C$	@ $T_A=100^\circ C$	@ $T_A=25^\circ C$	@ $T_A=25^\circ C$
		Amps	Amps	Amps	$\mu Sec$
HVFS2500	2500	2.2	1.3	200	150
HVFS5000	5000	2.2	1.3	200	150
HVFS7500	7500	2.2	1.3	200	150
HVFS10000	10000	2.2	1.3	200	150
HVFS12500	12500	2.2	1.3	200	150
HVFS15000	15000	2.2	1.3	200	150
HVFS17500	17500	2.2	1.3	200	150
HVFS20000	20000	2.2	1.3	200	150

\*Measured in discrete devices prior to assembly.  $I_F=.5A$ ,  $I_R=1A$ ,  $I_{RR}=.25A$

### TEMPERATURE RATINGS

Operating Temperature Range.....	-55°C to +150°C
Storage Temperature Range .....	-55°C to +150°C



180 Lafayette Road  
 North Hampton, NH 03862-2448  
 PH: 603-964-3165  
 FX: 603-964-3168  
 WWW.PDEELECTRONICS.COM

## Rectifier Assembly

### Fast Recovery High Voltage

### HVFS Series

### ELECTRICAL CHARACTERISTICS

Part Number	Maximum Reverse Leakage Current $I_R @ V_{RWM}$		Maximum Forward Voltages $V_F @ I_F$ @ TA=25°C	
	@ TA=25°C	@ TA=100°C		
	µA	µA	Volts	Amps
HVFS2500	10	120	8.0	2.2
HVFS5000	10	120	16.0	2.2
HVFS7500	10	120	21.0	2.2
HVFS10000	10	120	29.0	2.2
HVFS12500	10	120	36.0	2.2
HVFS15000	10	120 </td <td>44.0</td> <td>2.2</td>	44.0	2.2
HVFS17500	10	120	51.0	2.2
HVFS20000	10	120	58.0	2.2

### MECHANICAL CHARACTERISTICS

